

This catalog covers:
FJ100D-□M54

GRID NO. This grid covers:
A-01 TITLE

PARTS CATALOG

4-STROKE ENGINE

FJ100D

PRODUCT CODE	NOTE
FJ100D-AM54	TILLER

PARTS CATALOG INTRODUCTION

This parts catalog lists parts and sub-assemblies provided as service parts. When it becomes necessary to replace parts, always use KAWASAKI GENUINE PARTS which have passed strict inspection which guarantees quality and performance.

1. HOW TO ORDER PARTS

- When ordering the parts, be sure to use the parts catalog corresponding to the product code. Check the product revision codes on the product and the catalog.
 Product Code (example) : FA130D-**A**A00
 Product Revision Code
- Specify the part code (all digits) exactly as listed in this catalog on your parts order.
- The parts not shown in the illustrations of this catalog are not sold separately; only the complete units or next higher assemblies illustrated are supplied as the service parts.

2. EXPLANATION OF PARTS CATALOG FORMAT

This catalog covers: **FH500V-□S14**

GRID NO. **B-03** This grid covers: **CYLINDER/CRANKCASE**

Ref. No.	Part No.	Description	Quantity	
			A	B
11004	11004-7001	GASKET-HEAD	2	2
11008	11008-7001	HEAD-COMP-CYLINDER,#1	1	1
11022	11022-7002	HEAD-COMP-CYLINDER,#2	1	1
11022	11022-7001	CASE-ROCKER	2	2
11060	11060-7001	GASKET,ROCKER CASE	2	2
11060A	11060-7008	GASKET,CRANKCASE COVER	1	1
11209B	11209-7015	GASKET,BREATHER	1	1
13271	13271-7016	PLATE	1	1
13271A	13271-7016	COVER,BREATHER	1	1
14090	14090-7001	COVER,CRANKCASE	1	1
49015	49015-6215	ELEMENT-BREATHER	1	1
49109	49109-7002	CRANKCASE-COMP	1	1
49120	49120-6119	RING-SNAP	2	2
92043	92043-7001	PIN	6	6
92049	92049-7001	SEAL-OIL	4	4
92049A	92049-7002	SEAL-OIL	1	1
92049B	92049-7004	SEAL-OIL	1	1
92049C	92049-7005	SEAL-OIL	1	1
130	130B0612	BOLT-FLANGED	4	4
130A	130B0640	BOLT-FLANGED	4	4
130B	130T0850	BOLT-FLANGED	17	17
130C	130T0875	BOLT-FLANGED	2	2
172	172G0818	BOLT-STUD	4	4

1) Product Code

This code describes the product code covered by this catalog. The product revision code, which is a part of the product code, is omitted.

2) Part Group Title

This title is the representative name for the group of parts illustrated on the page.

3) Reference Number

The reference numbers are shown on the illustration and the list as the link between them.

4) Part Number

This is the key of your parts ordering.

Three kinds of part number are used in this catalog.

- Structure 1

 Part Revision Code
- Structure 2

 Color Code for Painted Part
- Standard Hardware Number
 (for bolts, nuts, washer, or the like)

 Size Code
 Material and Surface Treatment Code
 Item Code

5) Description and Additional Information

The part name, the location, the size, and the serial number as additional information, etc. are described here. Use them to find out and check the part required.

When a part number is changed without change of the product revision code and the changed parts are not interchangeable, the serial number of the product is noted as follows;

- (- FA130 - 100001) : Affected units are from beginning of the product of the product code up to and including this serial number.
- (FA130 - 100002 -) : Affected units are from this serial number and above.
- (FA130 - 100002 - FA130 - 110001) : Affected units are in this serial number range.

6) Quantity

The figure shows quantity of the part required at the indicated position on the illustration and for the specified product revision code.

The asterisk (*) on this column means the part can be used as the substitute on the product and is supplied until the stock is exhausted.

Note:Some small parts will be supplied by units.

Example: If six (6) bolts are ordered and the minimum quantity per unit is five (5), two (2), units of the bolt will be delivered.

7) Product Revision Code

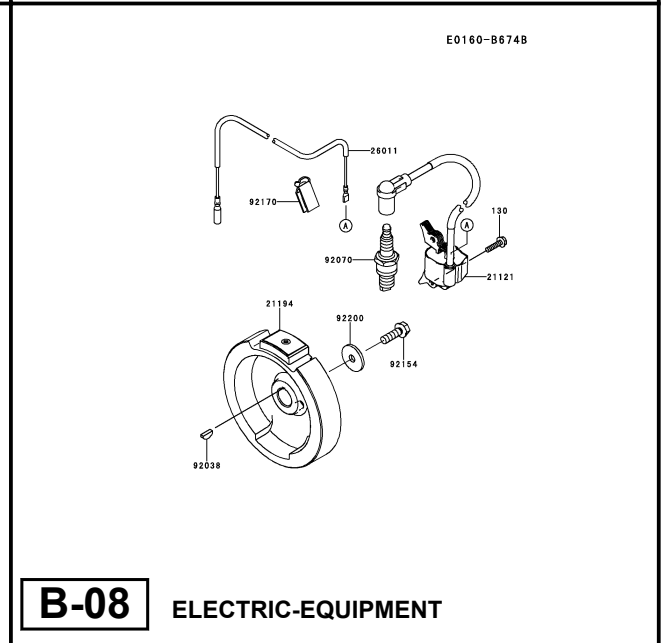
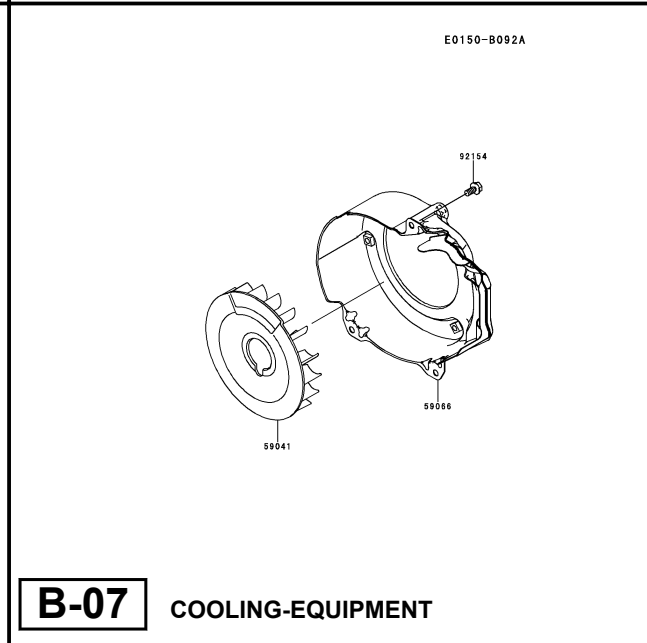
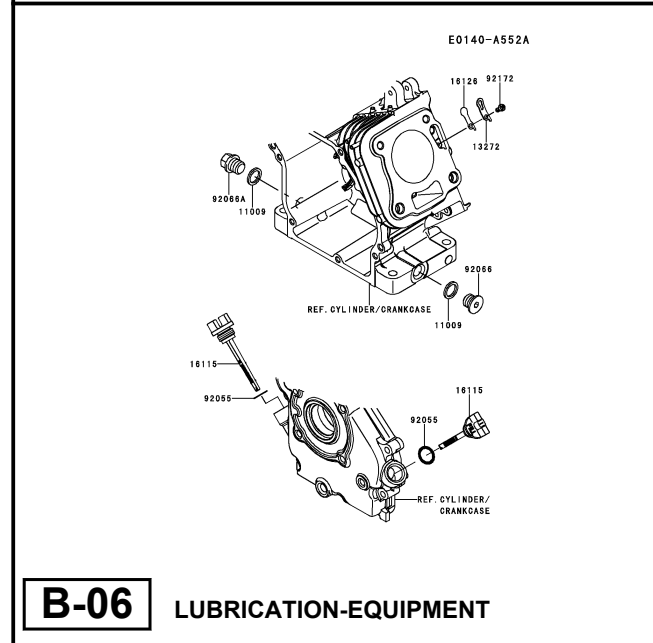
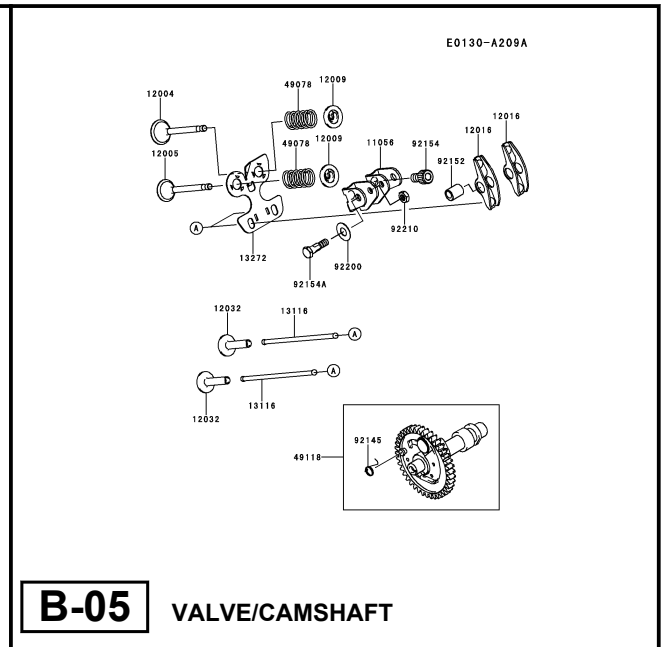
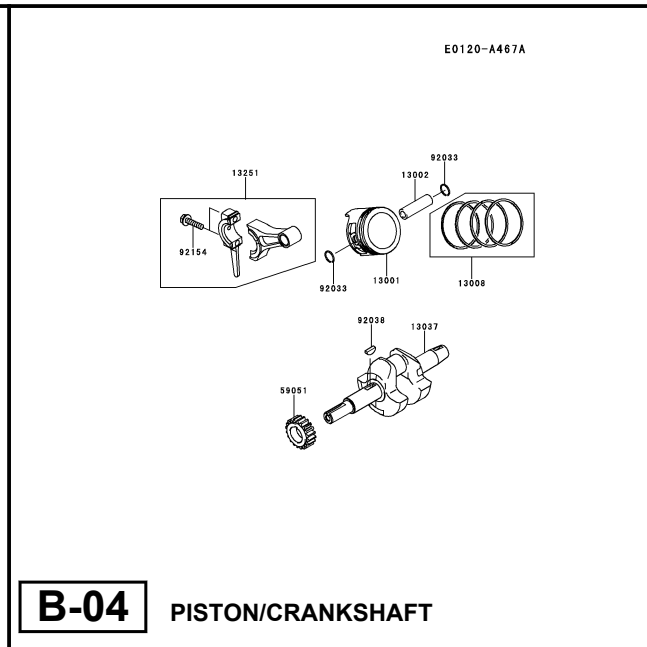
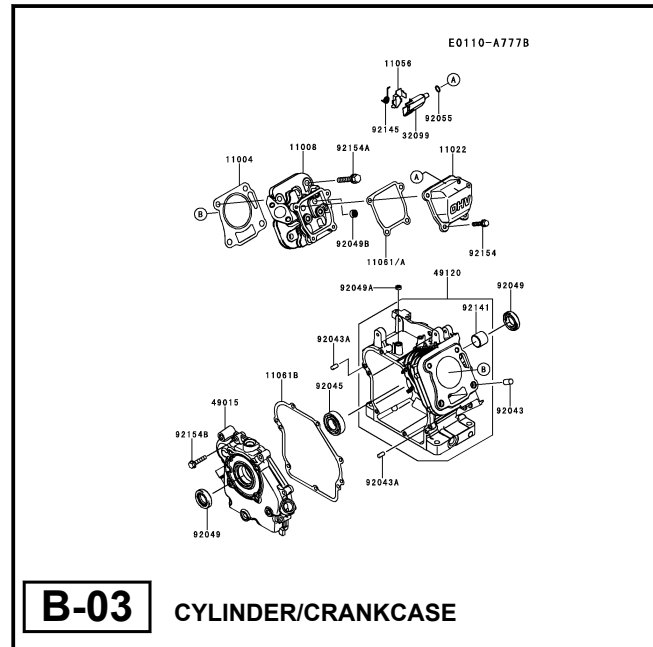
This Code indicates an important change which affects the service parts interchangeability.

3. ABBREVIATIONS

#.....Number	FR.....Front	RH.....Right Hand
&.....And	G.....Gram	RPM...Revolutions Per Minute
(+).....Plus	HEX.....Hexagonal	RR.....Rear
(-).....Minus	ID=.....Inside Diameter	STD.....Standard
2ND.....Second	IN.....Inch	T.....Teeth
3RD.....Third	L=.....Length	T=.....Thickness
4TH.....Fourth	LH.....Left Hand	U/S.....Under Size
A.....Ampere	LWR.....Lower	UPP.....Upper
AR.....As Required	MM.....Millimeter	V.....Volt
ASSY.....Assembly	O/S.....Over Size	W.....Watt
CNT.....Center	OD=.....Outside Diameter	
COMP.....Complete	REF.....Reference	

This catalog covers:
FJ100D- □ M54

GRID NO. This grid covers:
B-01 PICTORIAL INDEX



This catalog covers:

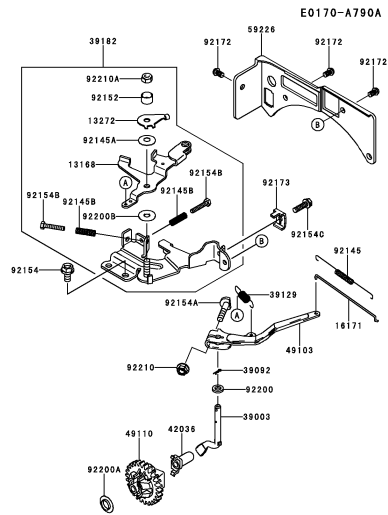
FJ100D- □ M54

GRID NO.

B-02

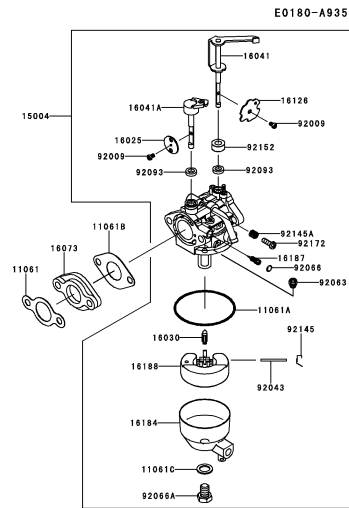
This grid covers:

PICTORIAL INDEX



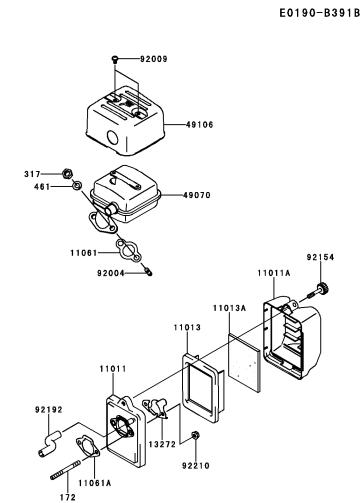
B-09

CONTROL-EQUIPMENT



B-10

CARBURETOR



B-11

AIR-FILTER/MUFFLER

This catalog covers:

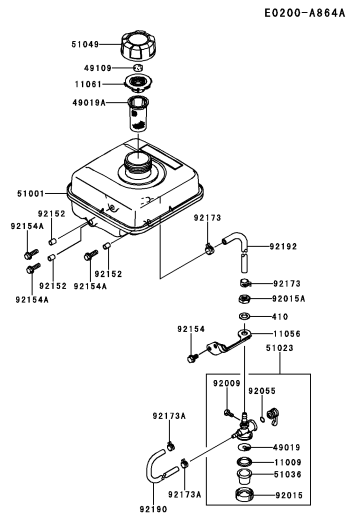
FJ100D- □ M54

GRID NO.

C-01

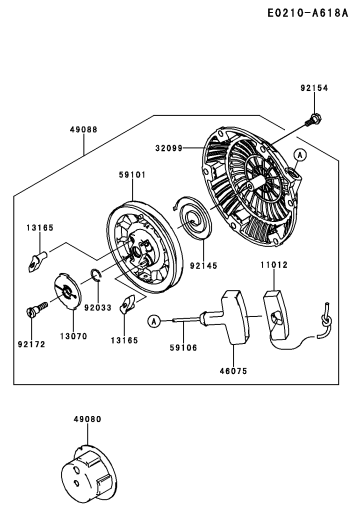
This grid covers:

PICTORIAL INDEX



C-03

FUEL-TANK/FUEL-VALVE



C-04

STARTER

This catalog covers:

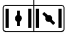



FJ100D- □ M54

GRID NO.

D-01

This grid covers:

PICTORIAL INDEX

<p>F0290-B909A</p> <p>56030</p>  <p>56071</p>  <p>56080</p>  <p>56080A</p>  <p>D-03 LABEL</p>		

This catalog covers:

FJ100D- □ M54

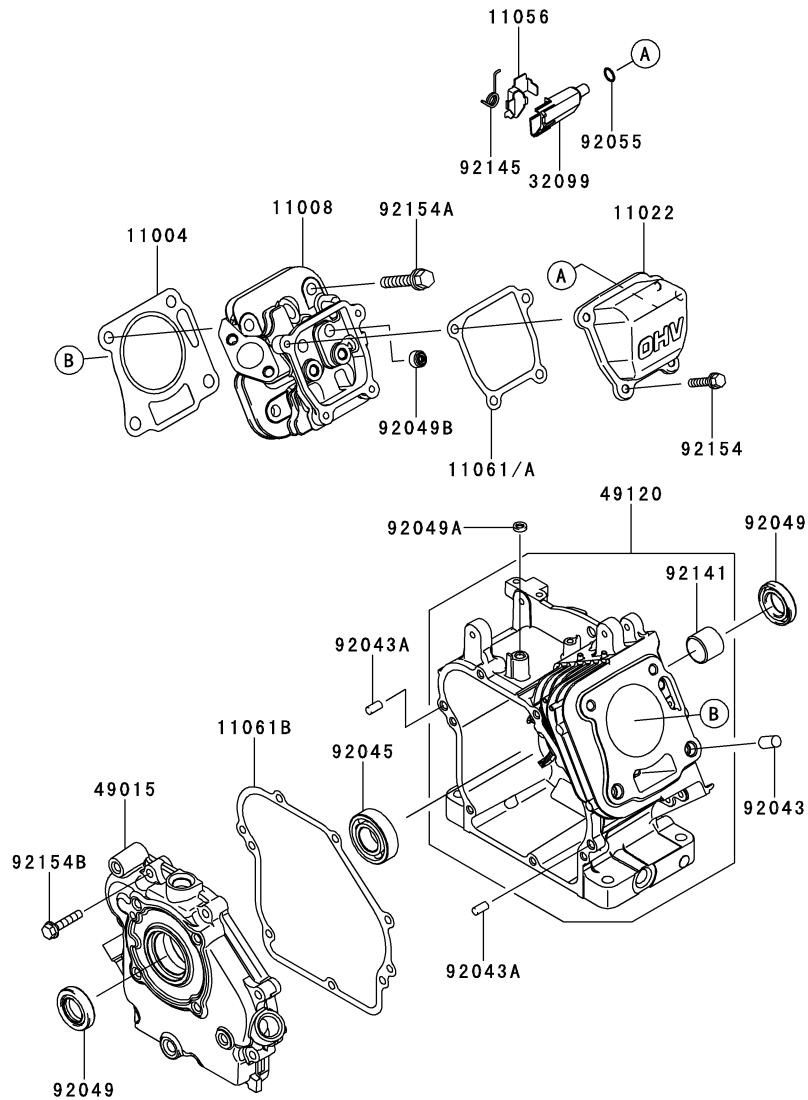
GRID NO.

B-03

This grid covers:

CYLINDER/CRANKCASE

E0110-A777B



Ref. No.	Part No.	Description	Quantity
			A
11004	11004-0716	GASKET-HEAD	1
11008	11008-2177	HEAD-COMP-CYLINDER	1
11022	11022-0018	CASE-ROCKER	1
11056	11056-2042	BRACKET	1
11061	11061-0860	GASKET,CASE-ROCKER	*
11061A	11061-0906	GASKET,CASE-ROCKER	1
11061B	11061-2232	GASKET	1
32099	32099-0728	CASE	1
49015	49015-6309	COVER-CRANKCASE	1
49120	49120-6195	CRANKCASE-COMP	1
92043	92043-2261	PIN,10X12	2
92043A	92043-2263	PIN,6X12	2
92045	92045-0072	BEARING-BALL,6004UR	1
92049	92049-2261	SEAL-OIL,ISD 20X35X8AE	2
92049A	92049-2273	SEAL-OIL,6X10X2.5	1
92049B	92049-2279	SEAL-OIL	1
92055	92055-0707	RING-O	1
92141	92141-2120	BEARING-PLANE	1
92145	92145-0928	SPRING	1
92154	92154-2003	BOLT,6X12	4
92154A	92154-2032	BOLT	4
92154B	92154-2052	BOLT	7

This catalog covers:

FJ100D- □ M54

GRID NO.

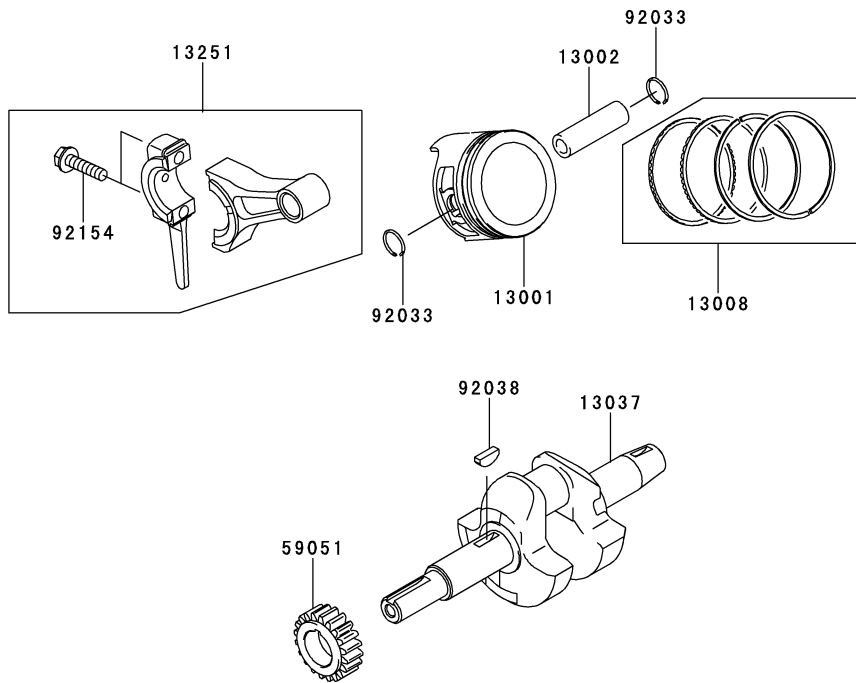
B-04

This grid covers:

PISTON/CRANKSHAFT

E0120-A467A

Ref. No.	Part No.	Description	Quantity
13001	13001-2195	PISTON-ENGINE	1
13002	13002-2104	PIN-PISTON	1
13008	13008-2063	RING-SET-PISTON	1
13037	13037-0739	CRANKSHAFT	1
13251	13251-2085	ROD-ASSY-CONNECTING	1
59051	59051-2385	GEAR-SPUR	1
92033	92033-2201	RING-SNAP	2
92038	92038-2108	KEY	1
92154	92154-2011	BOLT,6X25	2



This catalog covers:

FJ100D- □ M54

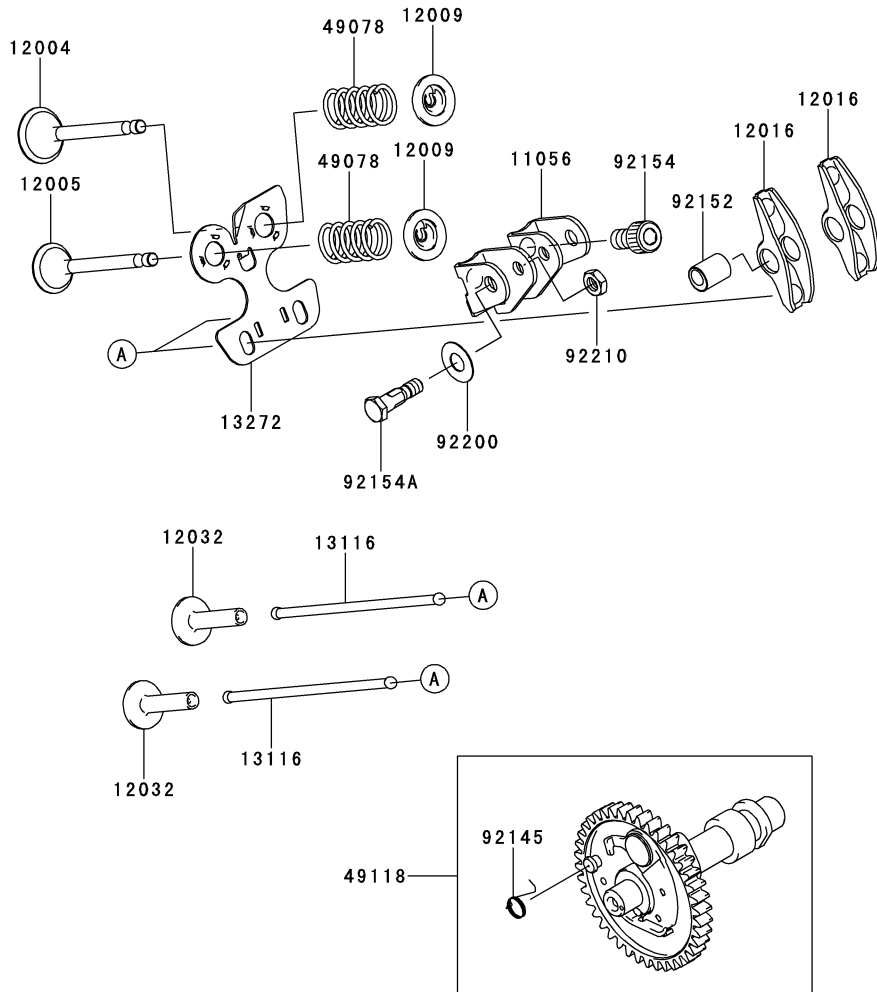
GRID NO.

B-05

This grid covers:

VALVE/CAMSHAFT

E0130-A209A



Ref. No.	Part No.	Description	Quantity
		A	
11056	11056-1174	BRACKET	1
12004	12004-2121	VALVE-INTAKE,IN	1
12005	12005-2106	VALVE-EXHAUST,EX	1
12009	12009-2062	RETAINER-VALVE SPRING	2
12016	12016-2070	ARM-ROCKER	2
12032	12032-2074	TAPPET	2
13116	13116-2077	ROD-PUSH	2
13272	13272-2040	PLATE	1
49078	49078-2090	SPRING-ENGINE VALVE	2
49118	49118-2163	CAMSHAFT-COMP	1
92145	92145-2194	SPRING	1
92152	92152-2099	COLLAR	2
92154	92154-2034	BOLT,8X14	2
92154A	92154-2035	BOLT,6X24	2
92200	92200-2194	WASHER,8.1X18X0.5	2
92210	92210-2133	NUT,6MM	2

This catalog covers:

FJ100D- □ M54

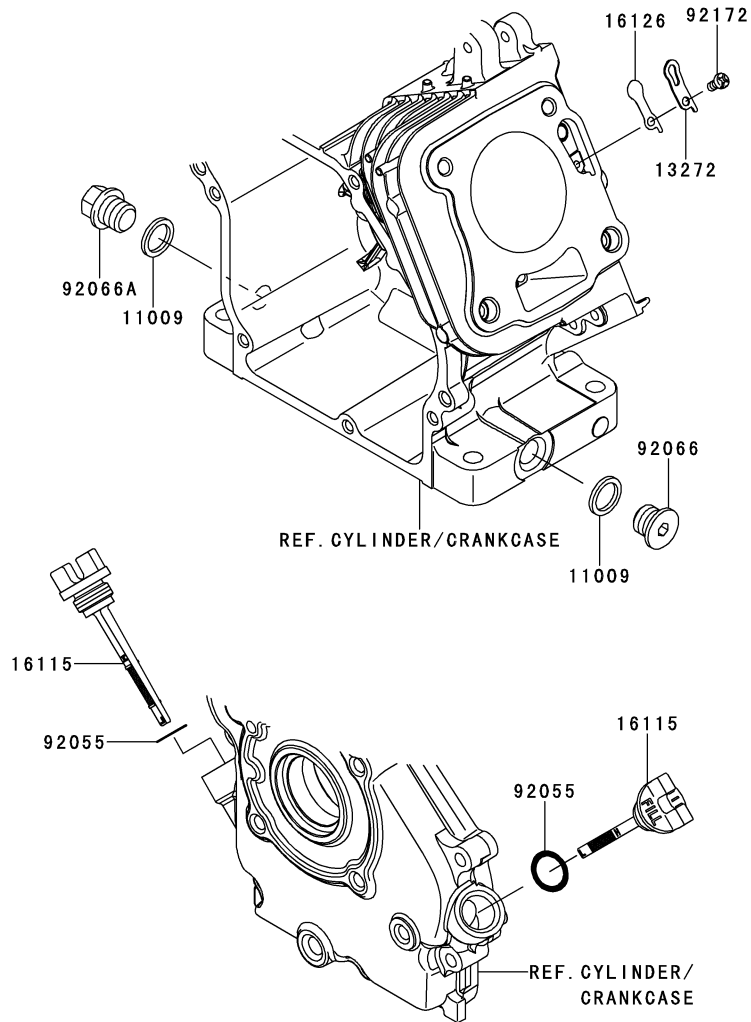
GRID NO.

B-06

This grid covers:

LUBRICATION-EQUIPMENT

E0140-A552A



Ref. No.	Part No.	Description	Quantity
11009	11009-2175	GASKET,14.2X19X2	2
13272	13272-2041	PLATE	1
16115	16115-2130	CAP-OIL FILLER	2
16126	16126-2249	VALVE	1
92055	92055-2219	RING-O	2
92066	92066-0721	PLUG	1
92066A	92066-2253	PLUG,14X12	1
92172	92172-2103	SCREW,4X8	1

This catalog covers:

FJ100D- □ M54

GRID NO.

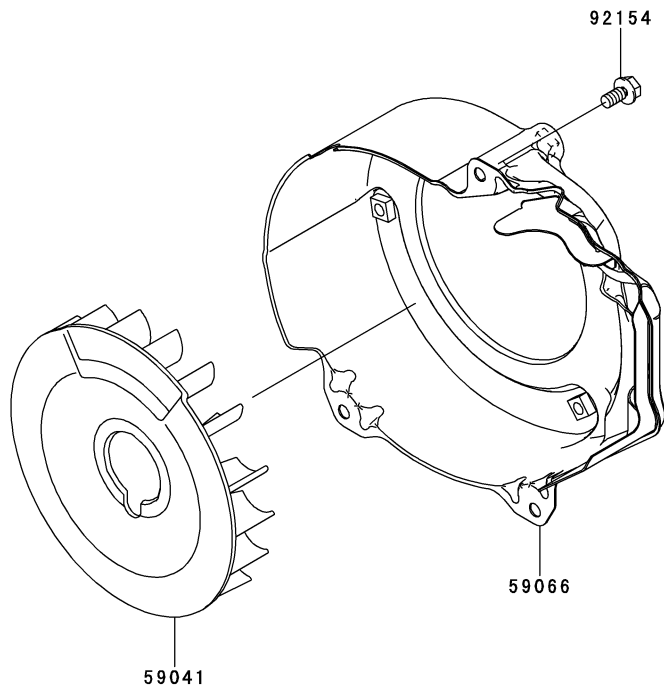
B-07

This grid covers:

COOLING-EQUIPMENT

E0150-B092A

Ref. No.	Part No.	Description	Quantity
59041	59041-2100	FAN	1
59066	59066-2820	HOUSING-FAN	1
92154	92154-2003	BOLT,6X12	3



This catalog covers:

FJ100D- □ M54

GRID NO.

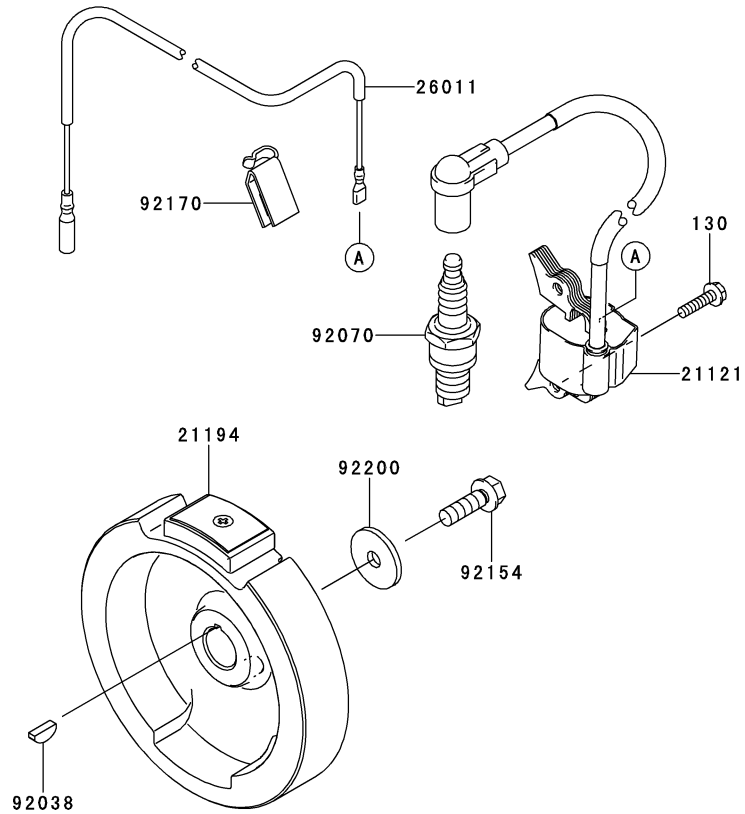
B-08

This grid covers:

ELECTRIC-EQUIPMENT

E0160-B674B

Ref. No.	Part No.	Description	Quantity
21121	21121-0712	COIL-IGNITION	1
21194	21194-2361	FLYWHEEL-COMP	1
26011	26011-0732	WIRE-LEAD	1
92038	92038-2108	KEY	1
92070	92070-0703	PLUG-SPARK,BR6HS	1
92154	92154-2039	BOLT,8X25	1
92170	92170-2017	CLAMP	1
92200	92200-2142	WASHER	1
130	130BA0520	BOLT-FLANGED,5X20	2



This catalog covers:

FJ100D- □ M54

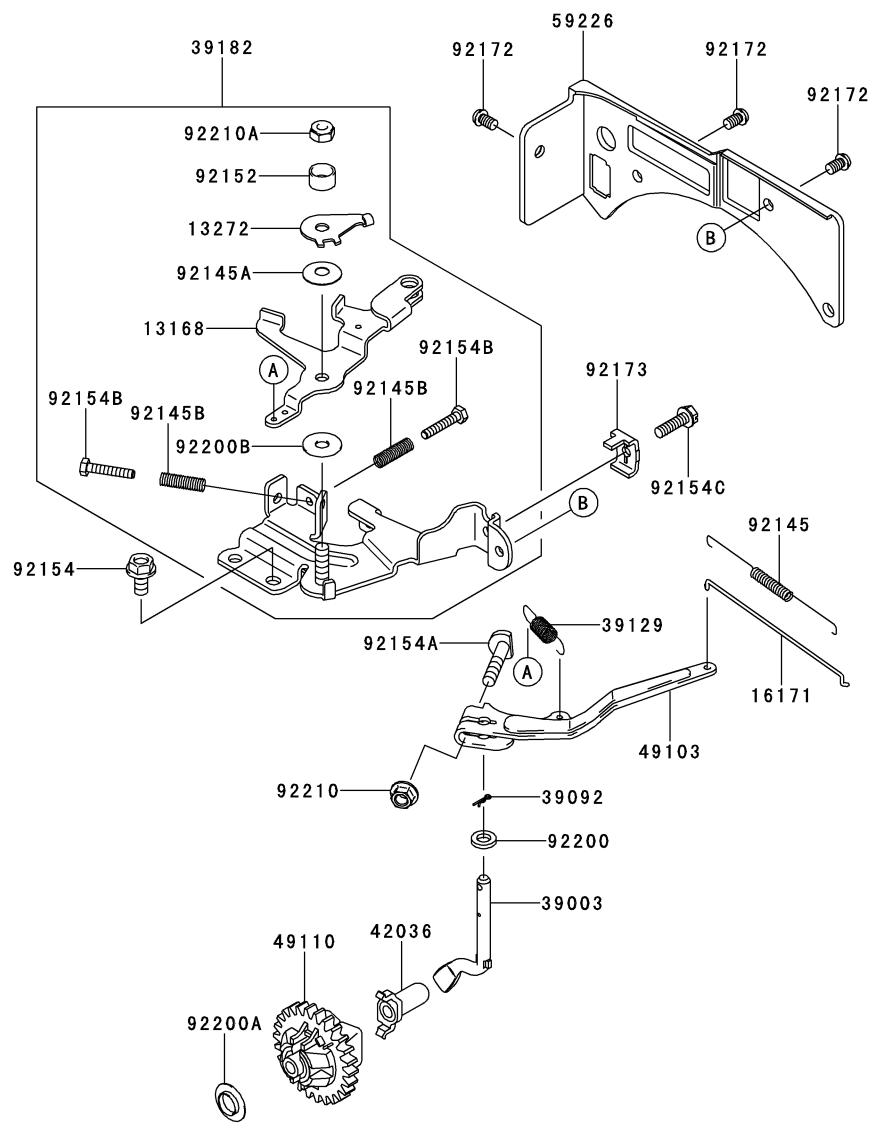
GRID NO.

B-09

This grid covers:

CONTROL-EQUIPMENT

E0170-A790A



Ref. No.	Part No.	Description	Quantity
		A	
13168	13168-2517	LEVER	1
13272	13272-2043	PLATE	1
16171	16171-2110	LINK	1
39003	39003-2097	ARM-PIVOT	1
39092	39092-2055	PIN-HAIR	1
39129	39129-0724	SPRING-GOVERNOR	1
39182	39182-2193	PANEL-ASSY-CONTROL	1
42036	42036-2051	SLEEVE	1
49103	49103-2178	ARM-GOVERNOR	1
49110	49110-2103	GOVERNOR-ASSY	1
59226	59226-2367	PANEL-CONTROL	1
92145	92145-2195	SPRING	1
92145A	92145-2196	SPRING	1
92145B	92145-2204	SPRING	2
92152	92152-2101	COLLAR	1
92154	92154-2003	BOLT,6X12	2
92154A	92154-2018	BOLT,6X28	1
92154B	92154-2043	BOLT,4X22	2
92154C	92154-2051	BOLT,5X18	1
92172	92172-2120	SCREW	3
92173	92173-2008	CLAMP	1
92200	92200-2184	WASHER,6.5X11.5X2	1
92200A	92200-2196	WASHER,10.5X19X2	1
92200B	92200-2199	WASHER,6.3X18X1.0	1
92210	92210-2121	NUT,M6	1
92210A	92210-2137	NUT,6MM	1

This catalog covers:

FJ100D- □ M54

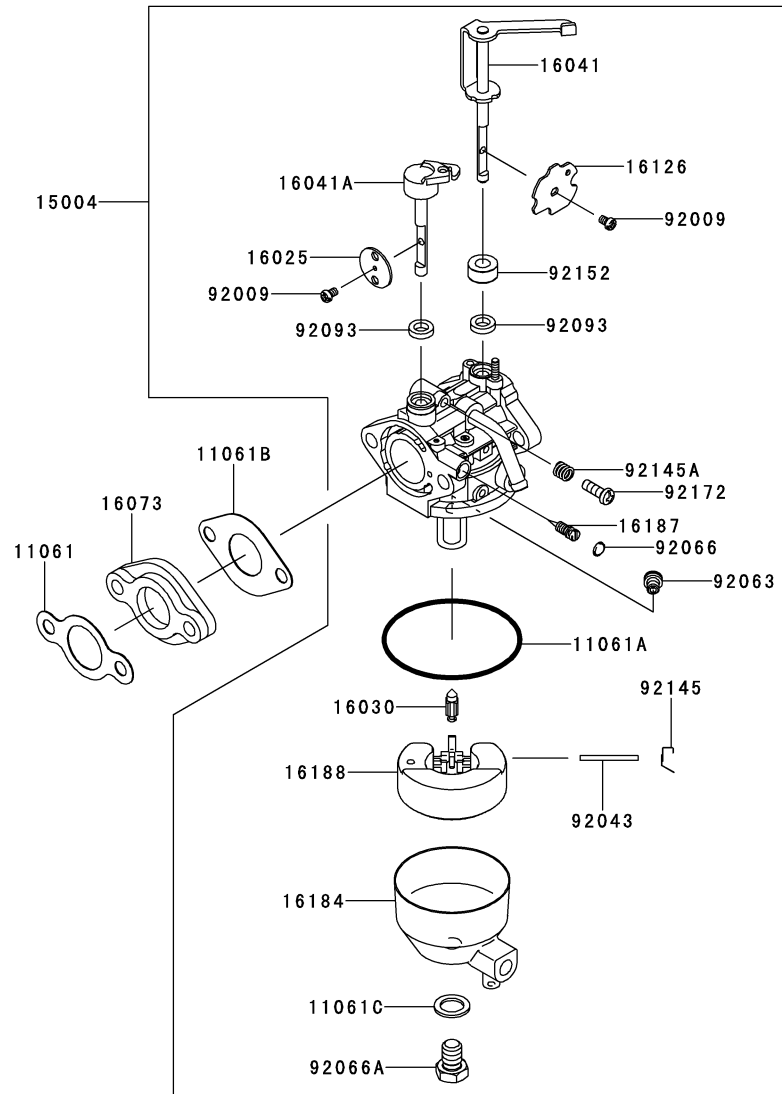
GRID NO.

B-10

This grid covers:

CARBURETOR

E0180-A935A



Ref. No.	Part No.	Description	Quantity
11061	11061-2231	GASKET,HEAD-INSULATOR	1
11061A	11061-2238	GASKET	1
11061B	11061-2239	GASKET,CARB-INSULATOR	1
11061C	11061-7054	GASKET,CENTER POST	1
15004	15004-0811	CARBURETOR-ASSY	1
16025	16025-0555	VALVE-THROTTLE	1
16030	16030-7004	VALVE-FLOAT	1
16041	16041-0008	SHAFT-CARBURETOR	1
16041A	16041-2267	SHAFT-CARBURETOR	1
16073	16073-2243	INSULATOR	1
16126	16126-0707	VALVE	1
16184	16184-0004	CHAMBER-ASSY-FLOAT	1
16187	16187-7001	NEEDLE-JET	1
16188	16188-2001	FLOAT	1
92009	92009-2049	SCREW	2
92043	92043-0756	PIN	1
92063	92063-0026	JET-MAIN,#64	1
92066	92066-7009	PLUG,EXPANSION	1
92066A	92066-7020	PLUG	1
92093	92093-2135	SEAL	2
92145	92145-0890	SPRING	1
92145A	92145-2202	SPRING	1
92152	92152-1565	COLLAR	1
92172	92172-2132	SCREW	1

This catalog covers:

FJ100D- □ M54

GRID NO.

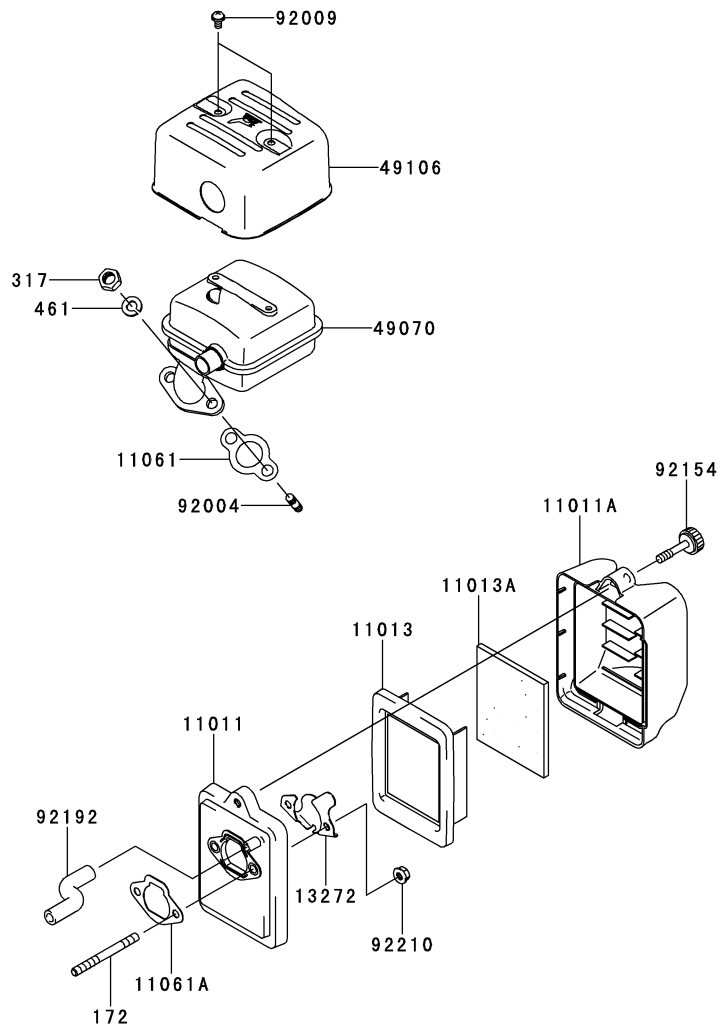
B-11

This grid covers:

AIR-FILTER/MUFFLER

E0190-B391B

Ref. No.	Part No.	Description	Quantity
11011	11011-2386	CASE-AIR FILTER,CASE	1
11011A	11011-2387	CASE-AIR FILTER,COVER	1
11013	11013-2240	ELEMENT-AIR FILTER,PAPER	1
11013A	11013-2241	ELEMENT-AIR FILTER	1
11061	11061-2102	GASKET,MUFFLER	1
11061A	11061-2229	GASKET	1
13272	13272-2039	PLATE	1
49070	49070-2798	MUFFLER-COMP	1
49106	49106-2678	COVER-MUFFLER	1
92004	92004-2166	STUD,8X26	2
92009	92009-2322	SCREW	2
92154	92154-2033	BOLT	1
92192	92192-0976	TUBE,7X12X72	1
92210	92210-2121	NUT,M6	2
172	172BA0675	BOLT-STUD,6X75	2
317	317R0800	NUT-HEX-SMALL,8MM	2
461	461DA0800	WASHER-SPRING,8MM	2



This catalog covers:

FJ100D- □ M54

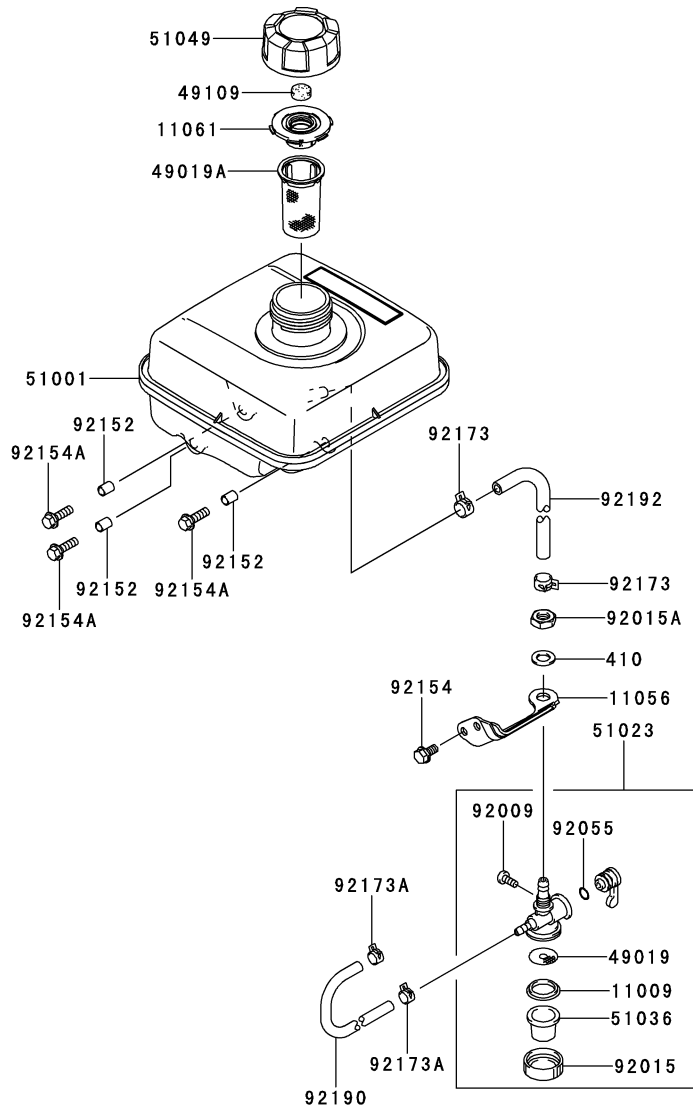
GRID NO.

C-03

This grid covers:

FUEL-TANK/FUEL-VALVE

E0200-A864A



Ref. No.	Part No.	Description	Quantity
		A	
11009	11009-2021	GASKET	1
11056	11056-2005	BRACKET	1
11061	11061-2216	GASKET	1
49019	49019-2095	FILTER-FUEL	1
49019A	49019-2120	FILTER-FUEL	1
49109	49109-2058	ELEMENT-BREATHER	1
51001	51001-2342	TANK-COMP-FUEL	1
51023	51023-2176	TAP-ASSY	1
51036	51036-2063	CUP,FUEL TAP	1
51049	51049-2087	CAP-TANK	1
92009	92009-2004	SCREW	1
92015	92015-2007	NUT	1
92015A	92015-2317	NUT	1
92055	92055-2002	RING-O	1
92152	92152-2100	COLLAR	3
92154	92154-2003	BOLT,6X12	2
92154A	92154-2016	BOLT,6X20	3
92173	92173-2003	CLAMP	2
92173A	92173-2004	CLAMP	2
92190	92190-2040	TUBE,4X8X180	1
92192	92192-2081	TUBE,TUBE,6X10X230	1
410	410AA1000	WASHER-PLAIN-SMALL,10MM	1

This catalog covers:

FJ100D- □ M54

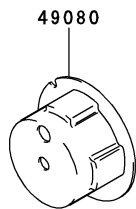
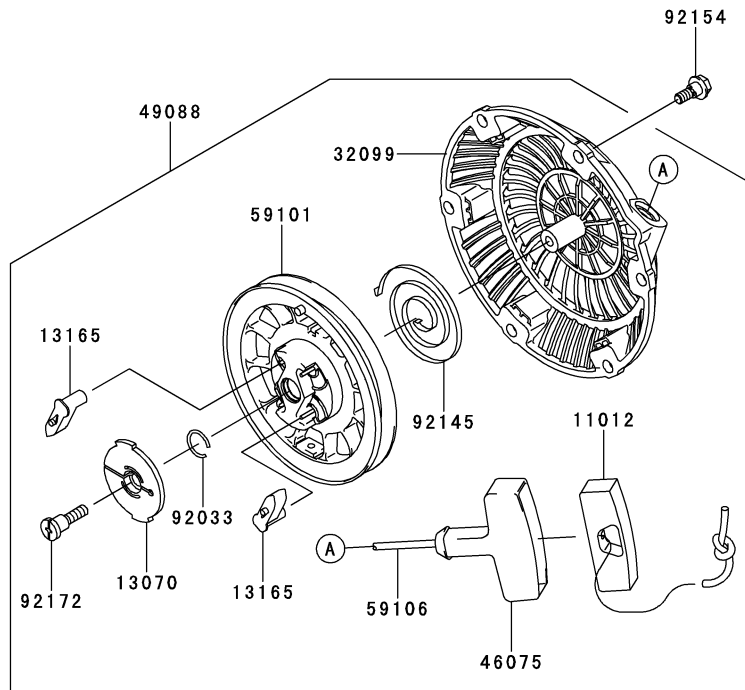
GRID NO.

C-04

This grid covers:

STARTER

E0210-A618A



Ref. No.	Part No.	Description	Quantity
11012	11012-2255	CAP,GRIP	1
13070	13070-0709	GUIDE	1
13165	13165-0558	PAWL	2
32099	32099-0703	CASE,RECOIL-STARTER	1
46075	46075-2091	GRIP,RECOIL STARTER	1
49080	49080-2210	PULLEY-STARTING	1
49088	49088-2591	STARTER-RECOIL	1
59101	59101-0554	REEL,STARTER-RECOIL	1
59106	59106-0552	ROPE,3.8X1440	1
92033	92033-2160	RING-SNAP	1
92145	92145-0825	SPRING	1
92154	92154-2006	BOLT,M6	3
92172	92172-0705	SCREW	1

This catalog covers:

FJ100D- □ M54

GRID NO.

D-03

This grid covers:

LABEL

F0290-B909A

Ref. No.	Part No.	Description	Quantity
56030	56030-2612	LABEL	1
56071	56071-0376	LABEL-WARNING	1
56080	56080-0787	LABEL-BRAND	1
56080A	56080-0788	LABEL-BRAND	1

56030



56071



56080



56080A



This catalog covers:

FJ100D- □ M54

GRID NO.

H-09

This grid covers:

PART NAME INDEX

AIR-FILTER/MUFFLER	B-11
CARBURETOR	B-10
CONTROL-EQUIPMENT	B-09
COOLING-EQUIPMENT	B-07
CYLINDER/CRANKCASE	B-03
ELECTRIC-EQUIPMENT	B-08
FUEL-TANK/FUEL-VALVE	C-03
LABEL	D-03
LUBRICATION-EQUIPMENT	B-06
PISTON/CRANKSHAFT	B-04
STARTER	C-04
VALVE/CAMSHAFT	B-05

This catalog covers:

FJ100D- □ M54

GRID NO.

H-10

This grid covers:

NUMERICAL PARTS INDEX

Part No.	Grid No.	Part No.	Grid No.	Part No.	Grid No.	Part No.	Grid No.	Part No.	Grid No.
11004-0716	B-03	32099-0703	C-04	92066-7009	B-10				
11008-2177	B-03	32099-0728	B-03	92066-7020	B-10				
11009-2021	C-03	39003-2097	B-09	92070-0703	B-08				
11009-2175	B-06	39092-2055	B-09	92093-2135	B-10				
11011-2386	B-11	39129-0724	B-09	92141-2120	B-03				
11011-2387	B-11	39182-2193	B-09	92145-0825	C-04				
11012-2255	C-04	410AA1000	C-03	92145-0890	B-10				
11013-2240	B-11	42036-2051	B-09	92145-0928	B-03				
11013-2241	B-11	46075-2091	C-04	92145-2194	B-05				
11022-0018	B-03	461DA0800	B-11	92145-2195	B-09				
11056-1174	B-05	49015-6309	B-03	92145-2196	B-09				
11056-2005	C-03	49019-2095	C-03	92145-2202	B-10				
11056-2042	B-03	49019-2120	C-03	92145-2204	B-09				
11061-0860	B-03	49070-2798	B-11	92152-1565	B-10				
11061-0906	B-03	49078-2090	B-05	92152-2099	B-05				
11061-2102	B-11	49080-2210	C-04	92152-2100	C-03				
11061-2216	C-03	49088-2591	C-04	92152-2101	B-09				
11061-2229	B-11	49103-2178	B-09	92154-2003	B-03				
11061-2231	B-10	49106-2678	B-11	92154-2003	B-07				
11061-2232	B-03	49109-2058	C-03	92154-2003	B-09				
11061-2238	B-10	49110-2103	B-09	92154-2003	C-03				
11061-2239	B-10	49118-2163	B-05	92154-2006	C-04				
11061-7054	B-10	49120-6195	B-03	92154-2011	B-04				
12004-2121	B-05	51001-2342	C-03	92154-2016	C-03				
12005-2106	B-05	51023-2176	C-03	92154-2018	B-09				
12009-2062	B-05	51036-2063	C-03	92154-2032	B-03				
12016-2070	B-05	51049-2087	C-03	92154-2033	B-11				
12032-2074	B-05	56030-2612	D-03	92154-2034	B-05				
13001-2195	B-04	56071-0376	D-03	92154-2035	B-05				
13002-2104	B-04	56080-0787	D-03	92154-2039	B-08				
13008-2063	B-04	56080-0788	D-03	92154-2043	B-09				
13037-0739	B-04	59041-2100	B-07	92154-2051	B-09				
13070-0709	C-04	59051-2385	B-04	92154-2052	B-03				
130BA0520	B-08	59066-2820	B-07	92170-2017	B-08				
13116-2077	B-05	59101-0554	C-04	92172-0705	C-04				
13165-0558	C-04	59106-0552	C-04	92172-2103	B-06				
13168-2517	B-09	59226-2367	B-09	92172-2120	B-09				
13251-2085	B-04	92004-2166	B-11	92172-2132	B-10				
13272-2039	B-11	92009-2004	C-03	92173-2003	C-03				
13272-2040	B-05	92009-2049	B-10	92173-2004	C-03				
13272-2041	B-06	92009-2322	B-11	92173-2008	B-09				
13272-2043	B-09	92015-2007	C-03	92190-2040	C-03				
15004-0811	B-10	92015-2317	C-03	92192-0976	B-11				
16025-0555	B-10	92033-2160	C-04	92192-2081	C-03				
16030-7004	B-10	92033-2201	B-04	92200-2142	B-08				
16041-0008	B-10	92038-2108	B-04	92200-2184	B-09				
16041-2267	B-10	92038-2108	B-08	92200-2194	B-05				
16073-2243	B-10	92043-0756	B-10	92200-2196	B-09				
16115-2130	B-06	92043-2261	B-03	92200-2199	B-09				
16126-0707	B-10	92043-2263	B-03	92210-2121	B-09				
16126-2249	B-06	92045-0072	B-03	92210-2121	B-11				
16171-2110	B-09	92049-2261	B-03	92210-2133	B-05				
16184-0004	B-10	92049-2273	B-03	92210-2137	B-09				
16187-7001	B-10	92049-2279	B-03						
16188-2001	B-10	92055-0707	B-03						
172BA0675	B-11	92055-2002	C-03						
21121-0712	B-08	92055-2219	B-06						
21194-2361	B-08	92063-0026	B-10						
26011-0732	B-08	92066-0721	B-06						
317R0800	B-11	92066-2253	B-06						